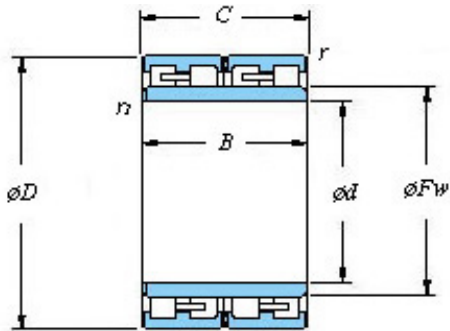




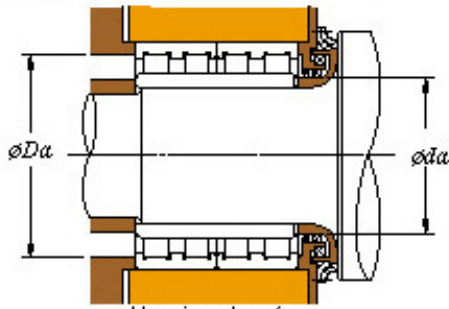
# Bearing Co., Ltd

## 313837A KOYO ROLL NECK BEARINGS for ROLLING MILL

Bearing No. 313837A



■ Mounting dimensions



Housing chamfer

Shaft chamfer

313837A Bearing 2D drawings and 3D CAD models

Bearing No.	313837A
d	220
D	310
B	192
r(min)	2
Cr	1760
C0r	3420
Cu	398
Fw	246
C	192
r1(min)	2
da(min)	230
Da(max)	300
Da(min)	291
ra(max)	2
rb(max)	2
(Refer.) Mass(kg)	44.9